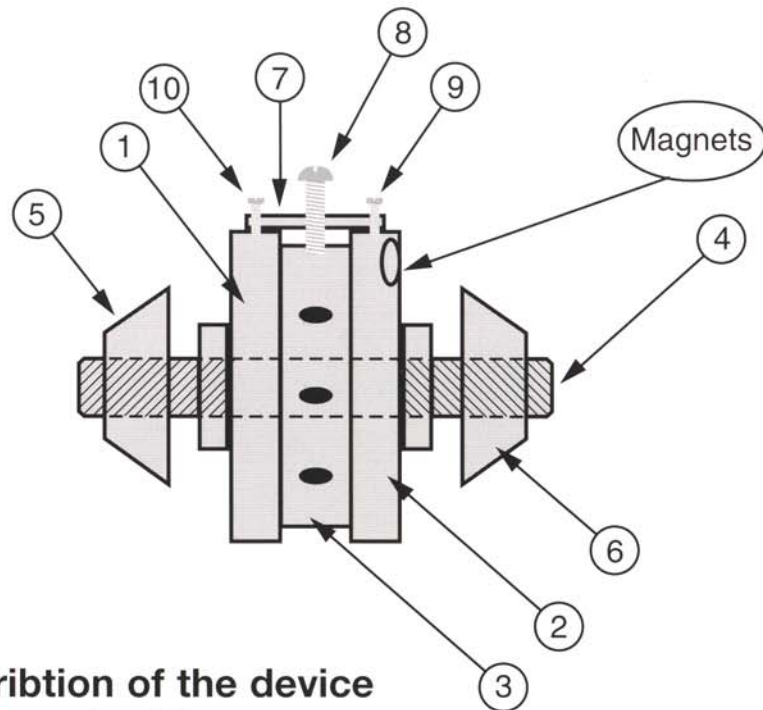


Container-Quick-Tie

Part-List and Fitting Instructions for the coupling device

Part List

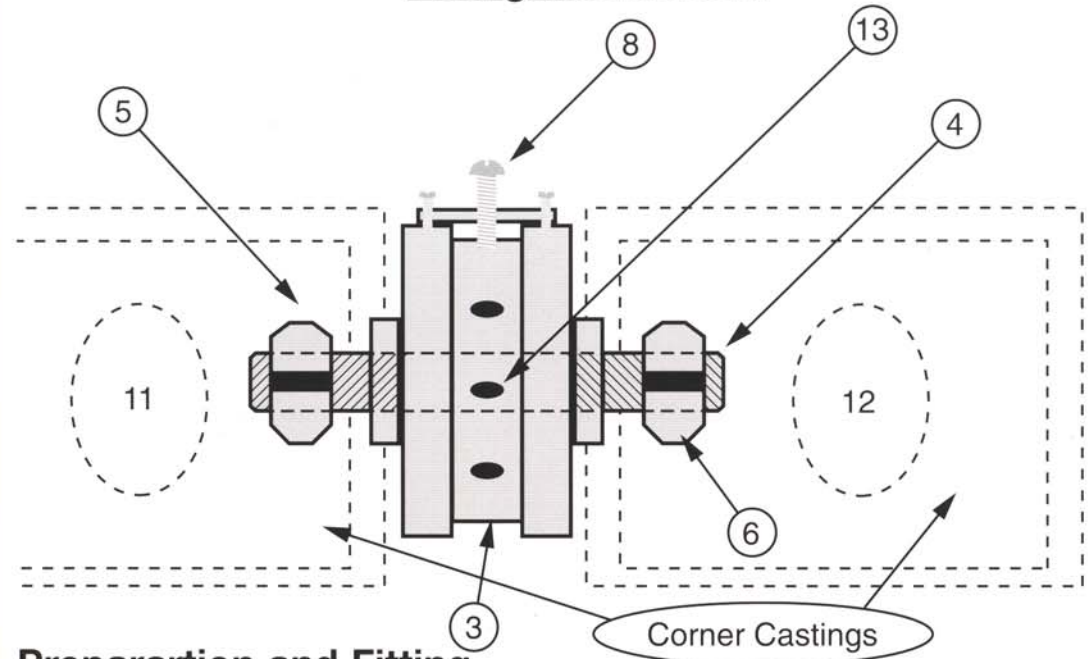
use for each 20' Container 1 top and 1 bottom coupling device
for a complete coupling - 4 coupling devices are necessary
(2 top and 2 bottom)



Description of the device

- 1 = Distance piece left
- 2 = Distance piece right
- 3 = Quick action piece
- 4 = Threaded bar
- 5 = Stretching hammer left
- 6 = Stretching hammer right
- 7 = Bridge
- 8 = Security screw
- 9+10 = Fitting screws for bridge

Fitting Instructions



Preparation and Fitting

1. Containers to be coupled are to be dropped on the coupling platform or on a flat surface (front end to front end)
2. prior to fitting remove both stretching hammers 5+6 from the threaded bar 4
3. Affix **Quick-Tie** without stretching hammers with the magnets to the frontside of the respective corner casting
4. Move Containers together and insert the stretching hammers 5+6 through the side aperture 11+12 of the corner castings by using the fitting tool
5. Turn the quick action piece 3 until both stretching hammers 5+6 are in a horizontal position and smooth affixed at the insides of the front corner castings. Screw in the safety screw 8 in one of the openings 13 of the quick action piece (rigid connection)

Upon completion of the couplin process the safety screw 8 of the top devices shows to the bottom – and the safety screw of the bottom devices shows to the top.